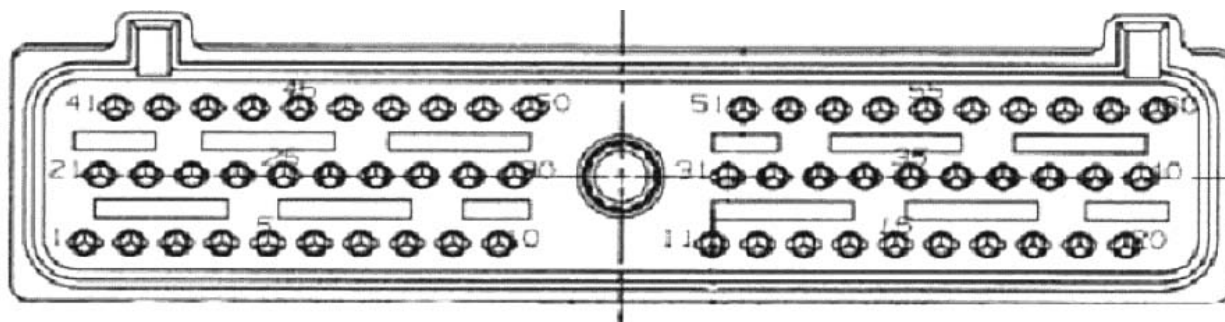




1988-1993 Ford Mustang 5.0L

Revised October 2, 2005

ECU Pinout Diagram



Pin #	Name	Function	Signal Type
1	Voltage Back Up	Permanent 12V	Power
3	Vehicle Speed Sensor	Vehicle speed sensor signal	Speed
7	Engine Coolant Temperature Sensor	Engine coolant temperature sensor signal	Analog
25	Intake Air Temperature Sensor	Air temperature sensor signal	Analog
29	Primary O2 Sensor	Primary oxygen sensor signal	Analog
37	Power Source	12V switched	Power
40	Power Ground	Chassis ground	Ground
43	Secondary O2 Sensor	Secondary oxygen sensor signal	Analog
47	Throttle Position Sensor	Throttle position sensor signal	Analog
50	Mass Air Flow	Mass air flow sensor signal	Analog
56	Ignition Control Module	Engine speed	Speed
57	Power Source	12V switched	Power
60	Power Ground	Chassis ground	Ground

Caution!

If you are not familiar with the vehicle's electrical systems, onboard sensors, and vehicle dynamics, DO NOT attempt to perform ANY installation of PLX Devices Inc. product(s). PLX Devices Inc. does not guarantee 100% accuracy, compatibility and specific application functionality of these documents. Use these documents as guidelines ONLY and refer to your vehicle's service manual for detailed information.

www.plxdevices.com

(408)745-7591

